



Micrometrix™



Model SCC STREAMING CURRENT CONTROLLER

Features

- Backlit LCD Display
- User keypad
- High / Low Alarms
- Data Trending
- Zero Function
- 4~20mA Inputs / Outputs
- Optional Self Cleaning
- Digital Communications

Precise Dose Control for Water and Wastewater



Controller Advantages

The Micrometrix™ SCC features a backlit LCD and keypad. All controller functions are easily accessible through user friendly menus. The controller accepts a signal from the SCM and outputs a control signal to a chemical feeder.

The controller features graphical data trending, alarm functions and allows the user to customize parameters for the optional automatic cleaning system.



Patented

Benefits

- Chemical Savings
- Maintain Water Quality
- Early Warning Protection
- Prevent Upsets
- Optimize Treatment
- Reduce Residuals
- Easily Retrofitted



770.271.1330

micrometrix.com

contact@micrometrix.com

©Micrometrix Corp 2016

Engineering Specifications

The instrument shall be a single-loop, electronic controller for continuous control of coagulant / flocculant dosage to assist in optimizing the water or wastewater treatment process. The controller may be used for automatic control purpose with programmable Gain and Reset functions and 4 to 20 mA current signal output.

The controller shall be comprised of one module. The controller shall operate on 110~230 VAC or 24 VDC power (optional).

Controller Module

The controller shall be housed in a non-metallic NEMA 4x housing. The controller shall have single-loop capability and accept two (2) 4-20 mAdc signal from one (1) streaming current meter and optional flow signal input. The controller shall provide two (2) 4-20 mAdc output signals : One to automatically adjust chemical feeders in order to maintain the streaming current set-point, the second as a retransmission of the SCM signal. The controller shall be compatible with the Micrometrix Streaming Current Meter Models SCD-T , SCM-1, SCM-2 and metering pump (or other coagulant delivery system) which accepts a 4-20 mAdc measurement signal.

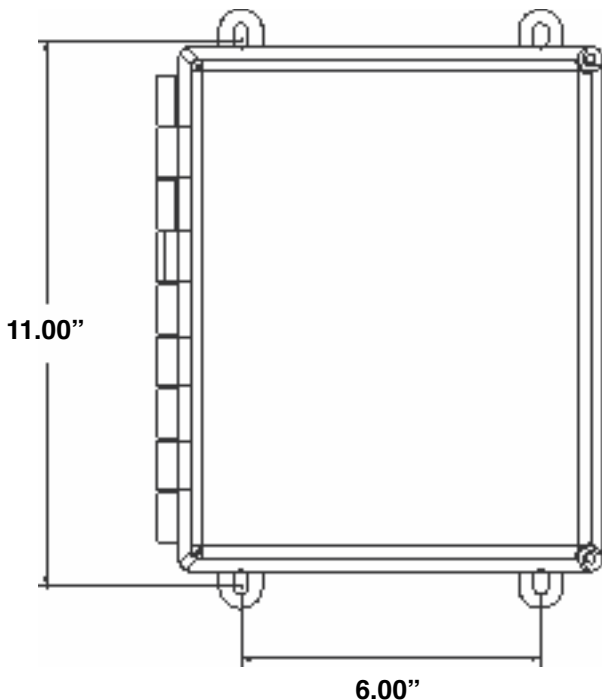
Operator Interface

The display shall be a graphic backlit LCD which includes user navigational menus and keypad entry. The user menus shall be English language prompts. The timer functions for the optional cleaning system shall be adjustable via the keypad. The controller shall include High and Low Alarm functions and Graphical Trending functions.

The controller shall have the capability to allow a PC to access it remotely. During a Remote Access session, the remote controller shall be displayed, on-line, on the PC screen. The user shall be able to 'Press' keypad keys, check system status and run-time values, test and troubleshoot problems in remote controllers and applications. Communication options shall be Ethernet, GSM/SMS support, MODBUS (Master/Slave), RS 232 / Modem support.

The instrument shall be a. Single-loop Streaming Current Controller Model SCC as manufactured by Micrometrix Corporation.

| Specifications | Model SCC |
|------------------------|----------------------------------|
| Function | Setpoint Control |
| Power | 110 ~230 VAC / 24 VDC (Optional) |
| Range | -1000 to +1000 mV |
| Accuracy | 0.1% |
| Display Type | LCD - Backlit |
| Optional Functionality | Self-Cleaning System |
| User Interface | Menu / Programmable |
| Response Time | 1 Second |
| Data Trending | Graphical LCD |
| Inputs | 2ea 4~20mA |
| Outputs | 2ea 4~20mA |
| Communication | Modbus (Optional) |
| Alarms | High / Low Relay Contacts |
| Zero Adjust | Full Range |
| Enclosure | NEMA 4x, IP 65 |
| Mounting Holes | 11.0" x 6.00" |
| Weight | 20 lbs , 9 kg |



770.271.1330

micrometrix.com

contact@micrometrix.com

©Micrometrix Corp 2016