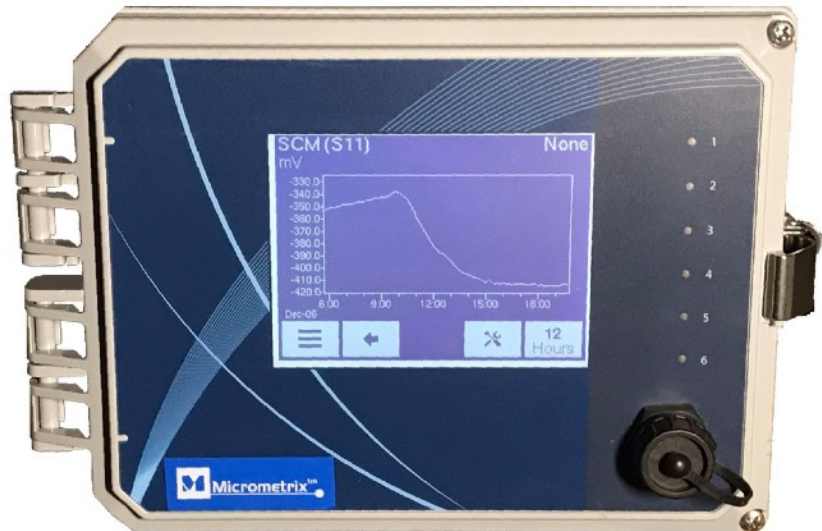


Model W600 WATER TREATMENT CONTROLLER

Features

- ▶ Backlit LCD Display
- ▶ Touchscreen
- ▶ 4~20mA Inputs / Outputs
- ▶ Graphical Trending
- ▶ USB Interface
- ▶ Relay Functions
- ▶ Optional Self Cleaning
- ▶ Modbus/Ethernet

Precise Dose Control for Water and Wastewater



Controller Advantages

The W600 Water Treatment Controller features a backlit LCD touchscreen. All controller functions are easily accessible through user friendly menus.

The universal controller is multi-channel and can accept multiple signals from the SCM as well as other sensor types. The W600 includes multiple outputs and alarm functions. The control signal can be used for automatic chemical feed and dosage control. The controller features data logging, graphical trending, alarm and control functions,

Inputs	
CCond (S11)	60 μ S/cm
Temp (S12)	60.0 °F
SCM (S13)	-622.9 mV
pH (S21)	****

Benefits

- ▶ Chemical Savings
- ▶ Maintain Water Quality
- ▶ Early Warning Protection
- ▶ Prevent Upsets
- ▶ Optimize Treatment
- ▶ Reduce Residuals
- ▶ Easily Retrofitted



Engineering Specifications

The instrument shall be a universal controller for continuous control of coagulant / flocculant dosage to assist in optimizing the water or wastewater treatment process. The controller may be used for automatic control purpose with programmable PID functions and 4 to 20 mA current signal output. The controller shall be comprised of one module. The controller shall operate on 110~230 VAC.

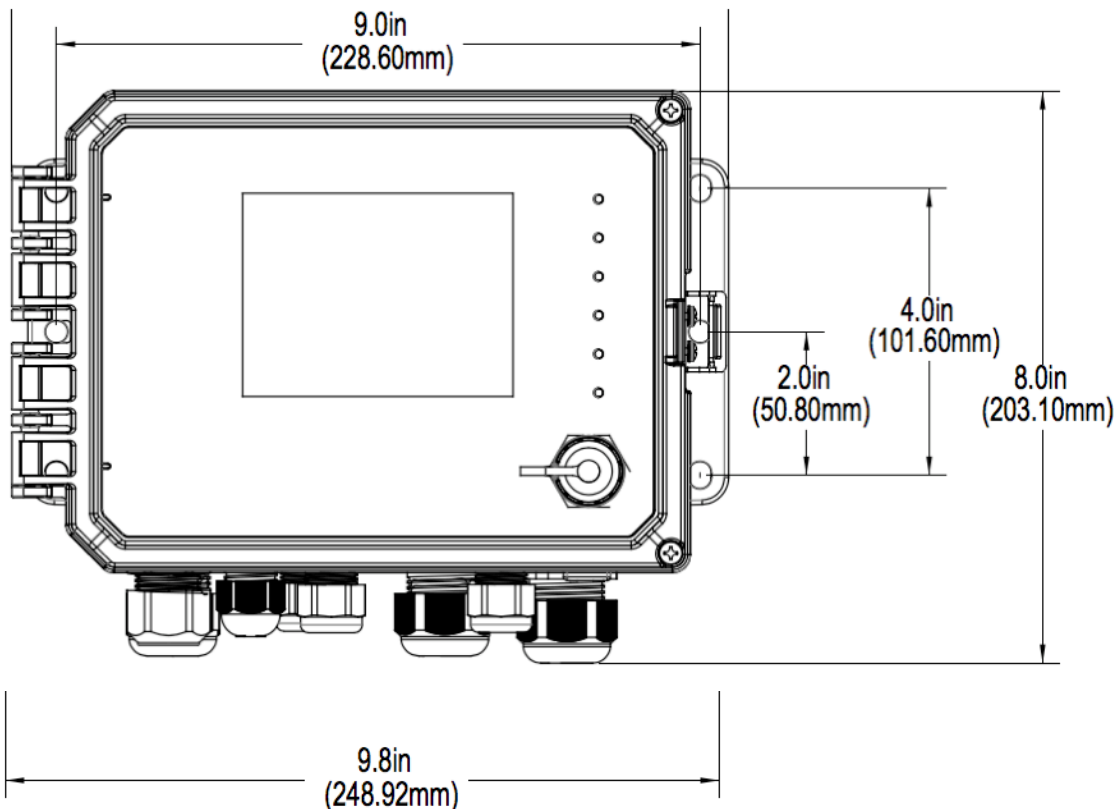
The controller shall be housed in a non-metallic NEMA 4x housing. The controller shall have universal inputs and accept up to (4) Sensor 4-20 mA signals from a streaming current meter and/or others. The controller shall provide two (2) 4-20 mA output signals : One to automatically adjust chemical feeders in order to maintain the streaming current set-point, the second as a 2nd control loop or retransmission of an input signal. The controller shall be compatible with the Micrometrix Streaming Current Meter Models SCD-T, SCM-1, SCM-2 and metering pump (or other coagulant delivery system) which accepts a 4-20 mA signal.

The display shall be a graphic backlit LCD touchscreen which includes user navigational menus and graphical trending functions.. The user menus shall have multi-language capability. The timer functions for the optional cleaning system shall be user adjustable. Outputs shall include six mechanical relays, and two analog outputs. The digital inputs shall be configurable for level switches, flowmeters, flow switches, or generic interlock operations.

The USB port shall provide the ability to upgrade the software in the controller to the latest version, save all the set points from a controller onto a USB flash disk and import settings into another W600 controller, and download datalog files to a USB flash disk. Communication options shall be Ethernet, IP/TCP, MODBUS (Master/ Slave).

The instrument shall be Model W600 as supplied by Micrometrix Corporation.

Specifications	Model W600
Function	Universal Controller
Power	110 ~230 VAC
Range	-1000 to +1000 mV, user adj
Accuracy	0.1%
Display Type	LCD - Backlit
User Interface	Touchscreen
Optional Function	Self-Cleaning System
Response Time	1 Second
Data Trending	Graphical LCD
Analog Inputs	2 or 4 each 4~20mA
Analog Outputs	2 each 4~20mA
Communication	Ethernet/Modbus (Optional)
Relay outputs	6 each Relays
Zero Offset	User Adjustable
Enclosure	NEMA 4x, IP 65
Mounting Holes	9.0" x 4.00"
Dimensions	9.8" x 8" x 4.9"



770.271.1330

micrometrix.com

contact@micrometrix.com

©Micrometrix Corp 2020