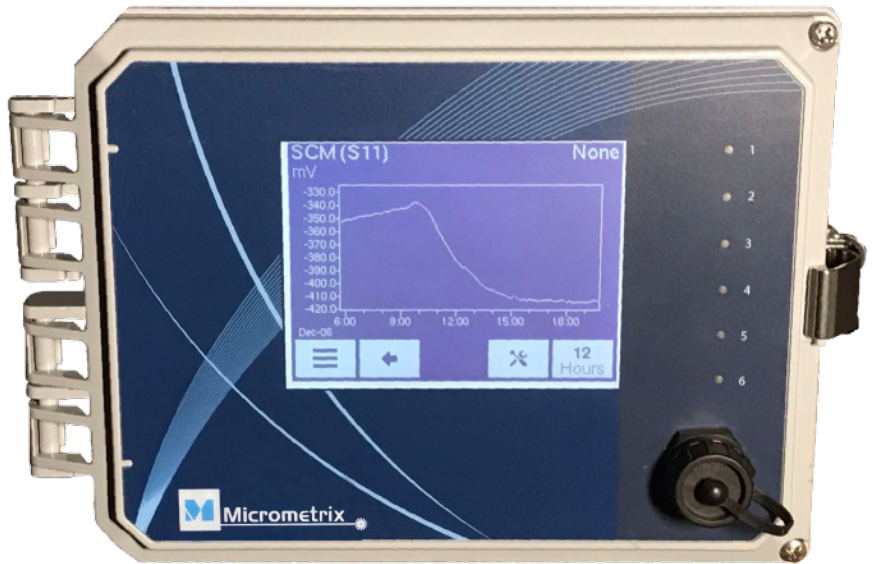


## Model W600 WATER TREATMENT CONTROLLER

### Features

- ▶ Backlit LCD Display
- ▶ Touchscreen
- ▶ 4~20mA Inputs / Outputs
- ▶ Graphical Trending
- ▶ USB Interface
- ▶ Relay Functions
- ▶ Optional Self Cleaning
- ▶ Modbus/Ethernet

### Precise Dose Control for Water and Wastewater



### Controller Advantages

The W600 Water Treatment Controller features a backlit LCD touchscreen. All controller functions are easily accessible through user friendly menus.

The universal controller is multi-channel and can accept multiple signals from the SCM as well as other sensor types. The W600 includes multiple outputs and alarm functions. The control signal can be used for automatic chemical feed and dosage control. The controller features data logging, graphical trending, alarm and control functions,

| Inputs      |               |
|-------------|---------------|
| CCond (S11) | 60 $\mu$ S/cm |
| Temp (S12)  | 60.0 °F       |
| SCM (S13)   | -622.9 mV     |
| pH (S21)    | ----          |

### Benefits

- ▶ Chemical Savings
- ▶ Maintain Water Quality
- ▶ Early Warning Protection
- ▶ Prevent Upsets
- ▶ Optimize Treatment
- ▶ Reduce Residuals
- ▶ Easily Retrofitted



## Engineering Specifications

The instrument shall be a universal controller for continuous control of coagulant / flocculant dosage to assist in optimizing the water or wastewater treatment process. The controller may be used for automatic control purpose with programmable PID functions and 4 to 20 mA current signal output. The controller shall be comprised of one module. The controller shall operate on 110~230 VAC.

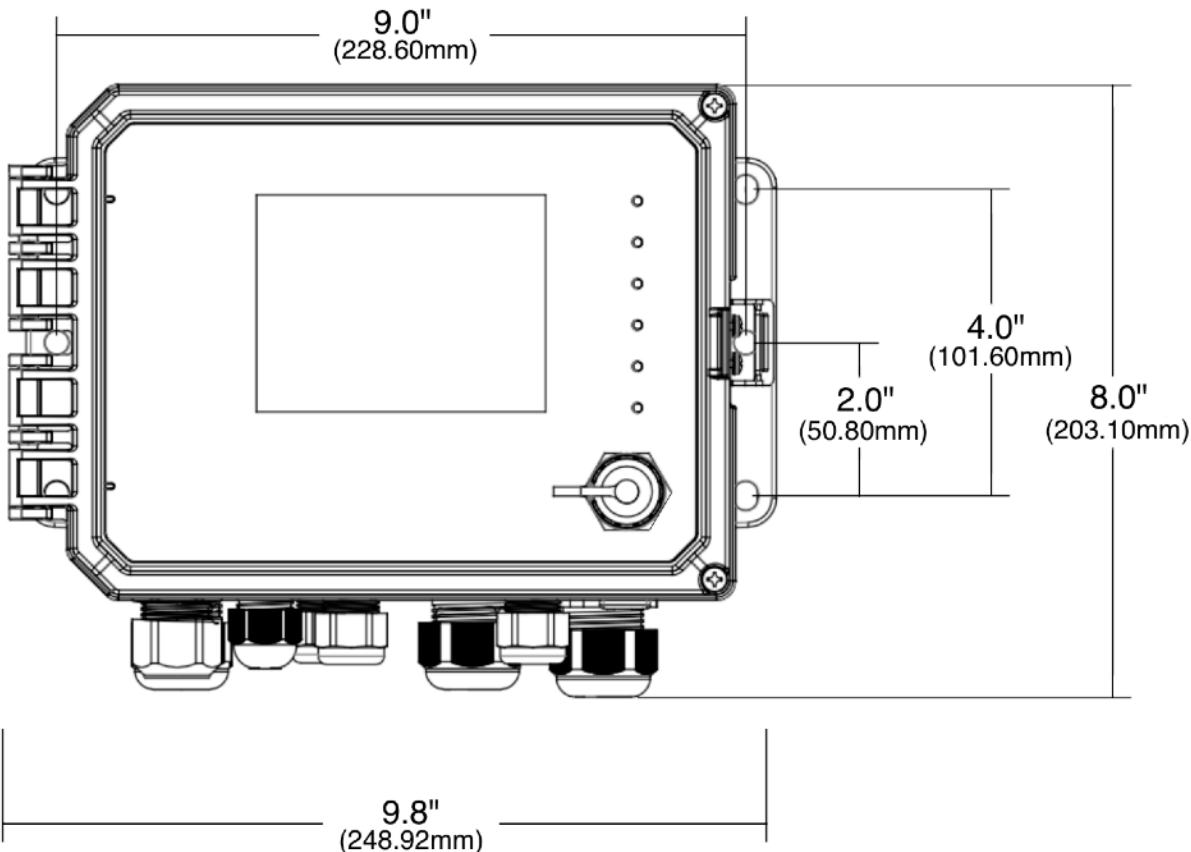
The controller shall be housed in a non-metallic NEMA 4x housing. The controller shall have universal inputs and accept up to (4) Sensor 4-20 mA signals from a streaming current meter and/or others. The controller shall provide two (2) 4-20 mA output signals : One to automatically adjust chemical feeders in order to maintain the streaming current set-point, the second as a 2nd control loop or retransmission of an input signal. The controller shall be compatible with the Micrometrix® Streaming Current Meter Models SCD-T, SCM-1, SCM-2 and metering pump (or other coagulant delivery system) which accepts a 4-20 mA signal.

The display shall be a graphic backlit LCD touchscreen which includes user navigational menus and graphical trending functions.. The user menus shall have multi-language capability. The timer functions for the optional cleaning system shall be user adjustable. Outputs shall include six mechanical relays, and two analog outputs. The digital inputs shall be configurable for level switches, flowmeters, flow switches, or generic interlock operations.

The USB port shall provide the ability to upgrade the software in the controller to the latest version, save all the set points from a controller onto a USB flash disk and import settings into another W600 controller, and download datalog files to a USB flash disk. Communication options shall be Ethernet, IP/TCP, MODBUS (Master/ Slave).

The instrument shall be Model W600 as supplied by Micrometrix® Corporation.

| Specifications    | Model W600                  |
|-------------------|-----------------------------|
| Function          | Universal Controller        |
| Power             | 110 ~230 VAC                |
| Range             | -1000 to +1000 mV, user adj |
| Accuracy          | 0.1%                        |
| Display Type      | LCD - Backlit               |
| User Interface    | Touchscreen                 |
| Optional Function | Self-Cleaning System        |
| Response Time     | 1 Second                    |
| Data Trending     | Graphical LCD               |
| Analog Inputs     | 2 or 4 each 4~20mA          |
| Analog Outputs    | 2 each 4~20mA               |
| Communication     | Ethernet/Modbus (Optional)  |
| Relay outputs     | 6 each Relays               |
| Zero Offset       | User Adjustable             |
| Enclosure         | NEMA 4x, IP 65              |
| Mounting Holes    | 9.0" x 4.00"                |
| Dimensions        | 9.8" x 8" x 4.9"            |



770.271.1330

[micrometrix.com](http://micrometrix.com)

[contact@micrometrix.com](mailto:contact@micrometrix.com)

© 2021 Micrometrix®  
All rights reserved